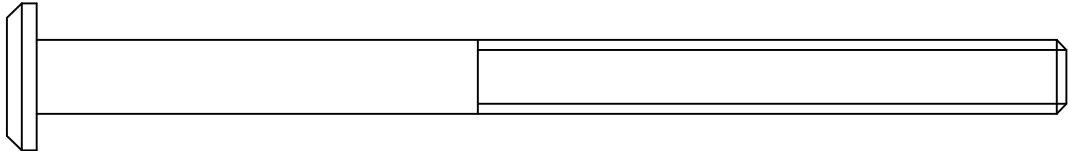
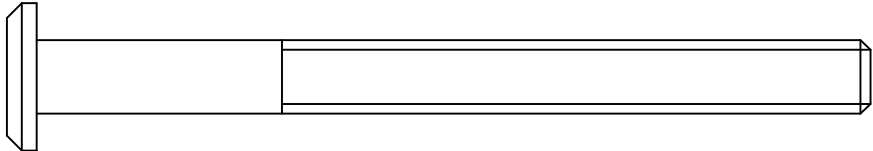
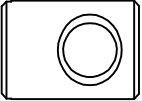
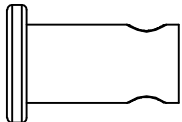
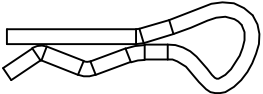
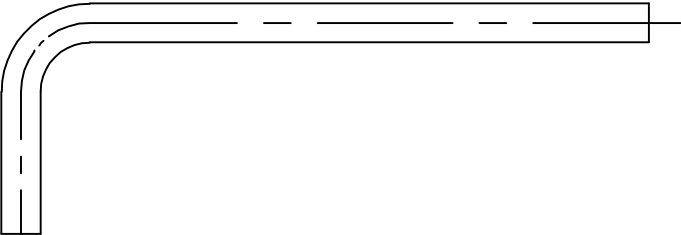
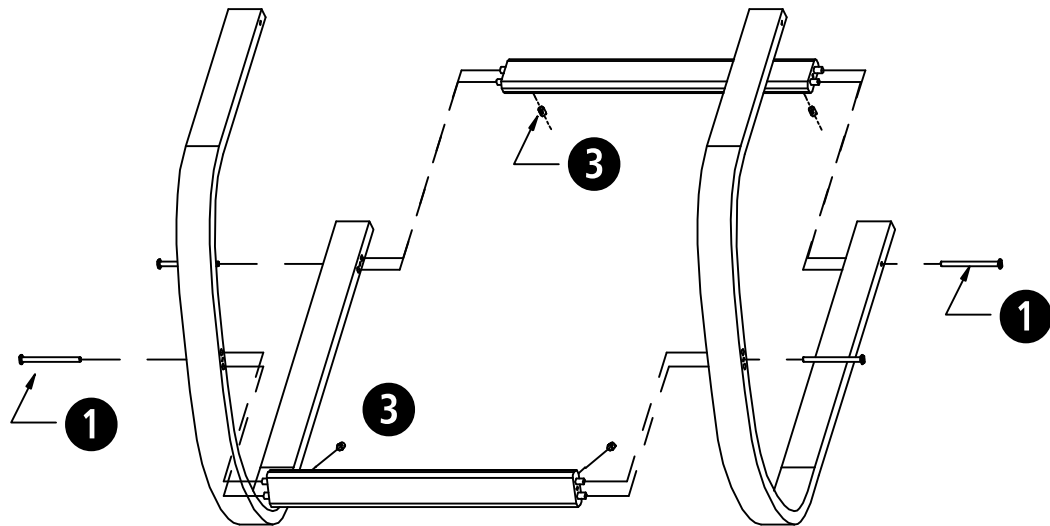


- 1**  **x 4** M6 x 105mm
- 2**  **x 4** M6 x 85mm
- 3**  **x 4** M6 x 14mm
- 4**  **x 2** $\varnothing 8$ x 13mm
- 5**  **x 2**
- 6**  **x 1**

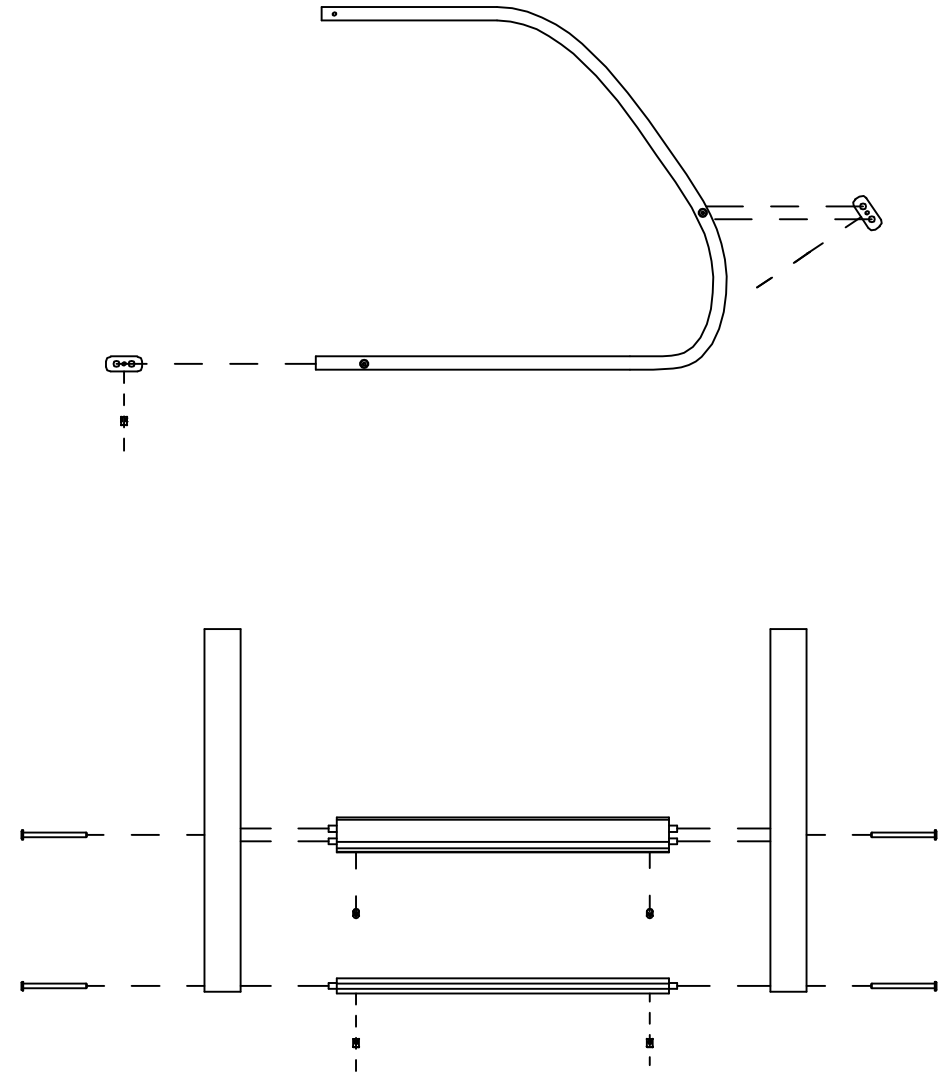
1

1 x 4 M6 x 105mm

3 x 4 M6 x 14mm



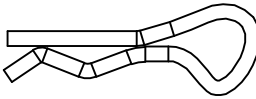
MEDISANA®

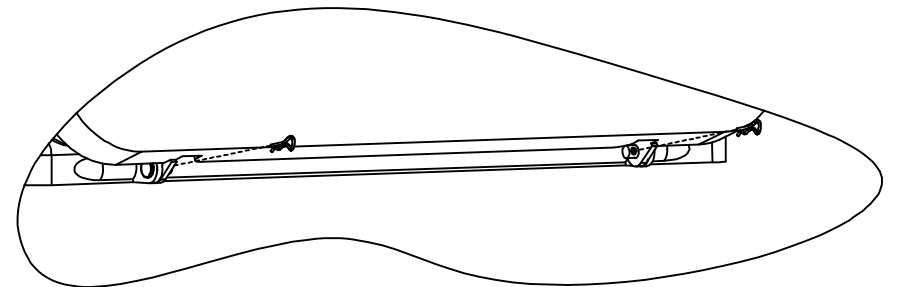
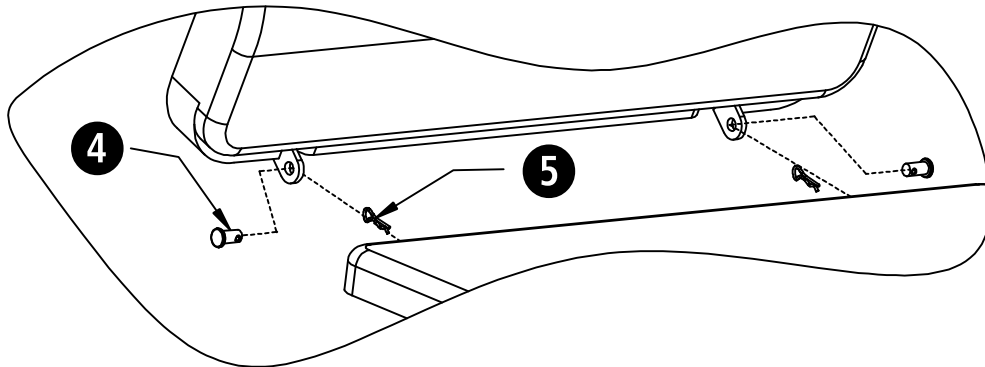
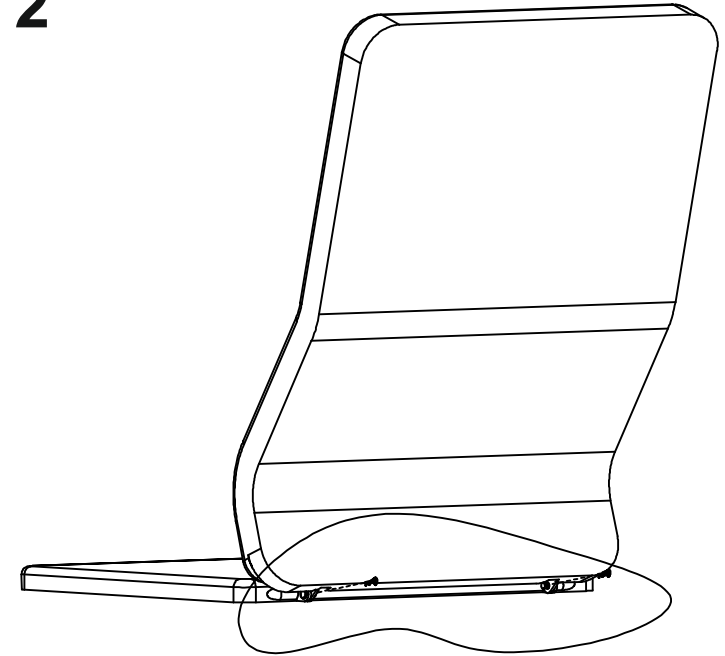
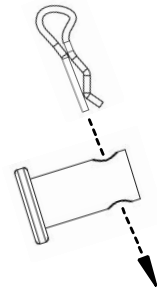
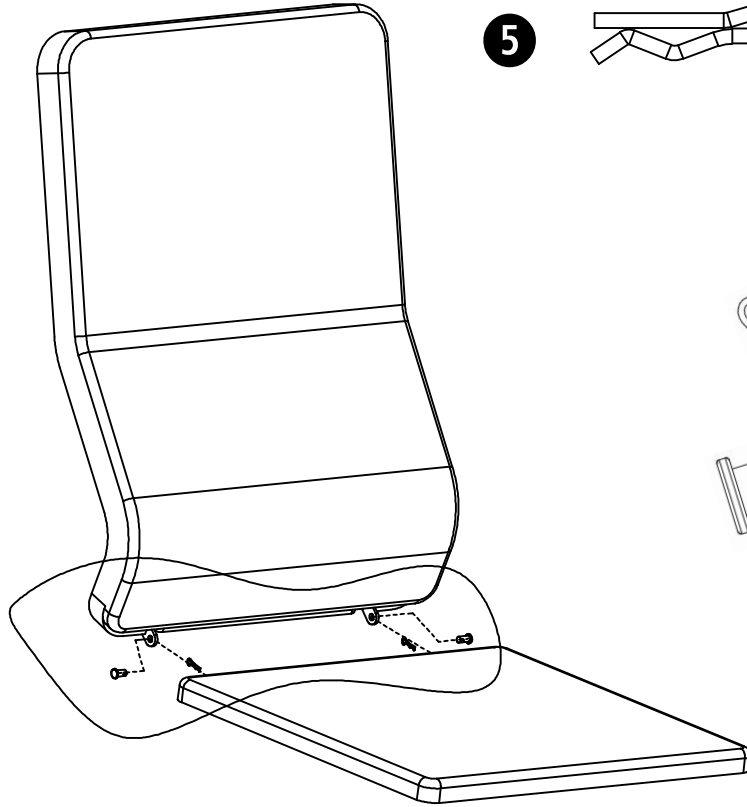


MEDISANA[®]

④  x 2 ø8 x 13mm

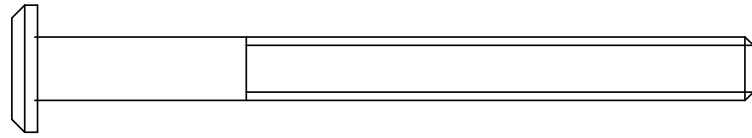
②

⑤  x 2



3

2



x 4

M6 x 85mm

MEDISANA®



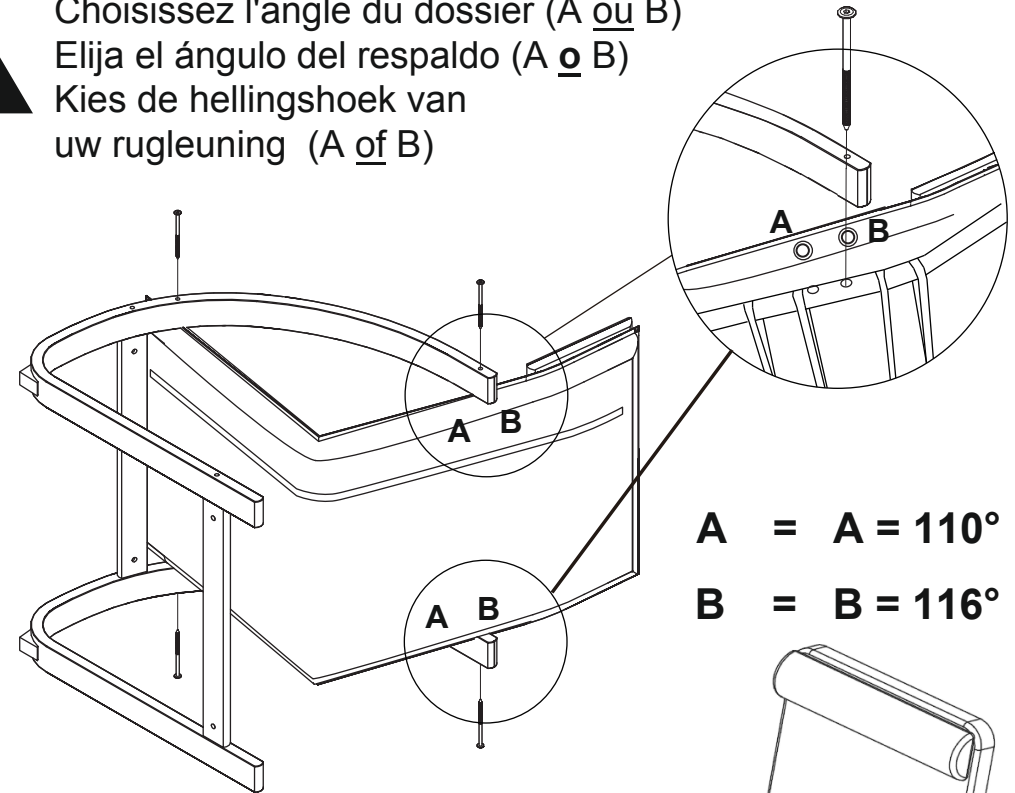
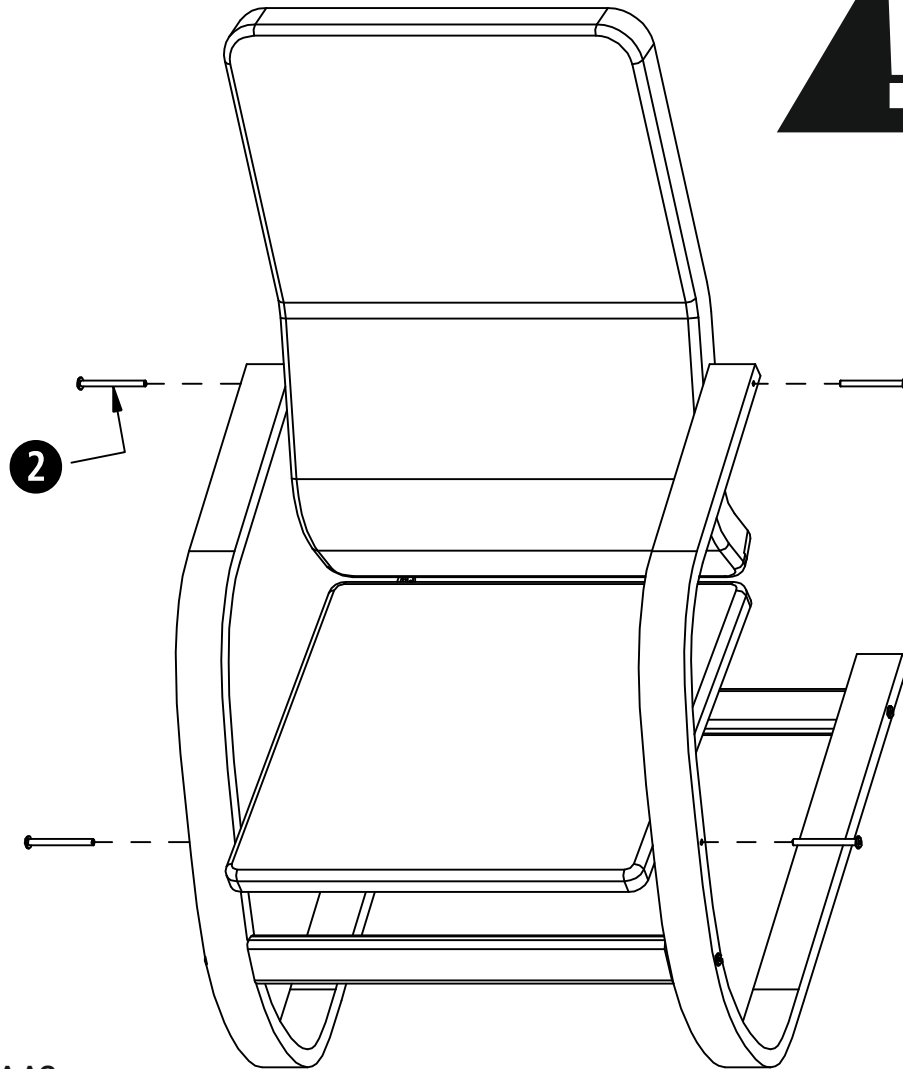
Neigung der Rückenlehne auswählen (A oder B)

Choose backrest angle (A or B)

Choisissez l'angle du dossier (A ou B)

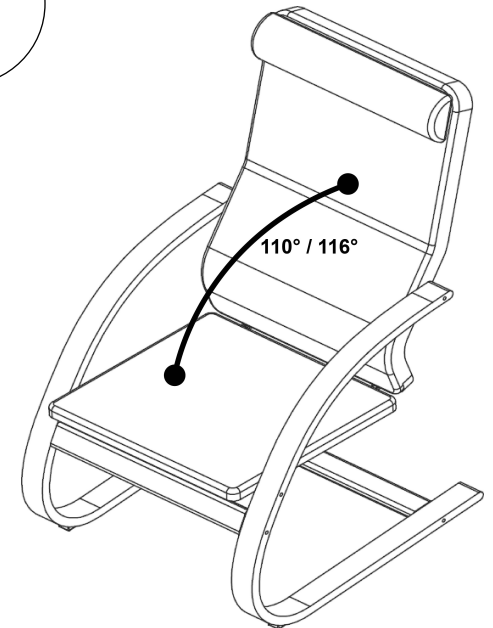
Elija el ángulo del respaldo (A o B)


Kies de hellingshoek van uw rugleuning (A of B)



A = A = 110°

B = B = 116°



 **MEDISANA AG**
Jagenbergstraße 19
41468 NEUSS
Germany